

WEST BOYLSTON MUNICIPAL LIGHT PLANT
Non-Utility Generation Interconnection Application
for Facilities with Inverter Capacity of 10 kW or Less

Contact Information:

Legal Name and address of Interconnecting Customer (or, Company name, if appropriate)

Customer or Company Name (print): _____ Contact Person, if Company: _____

Mailing Address: _____

City: _____ State: _____ Zip Code: _____

Telephone (Daytime): _____ (Evening): _____

Facsimile Number: _____ E-Mail Address: _____

Alternative Contact Information (e.g., system installation contractor or coordinating company, if appropriate):

Name: _____

Mailing Address: _____

City: _____ State: _____ Zip Code: _____

Telephone (Daytime): _____ (Evening): _____

Facsimile Number: _____ E-Mail Address: _____

Electrical Contractor Contact Information (if appropriate):

Name: _____ Telephone: _____

Mailing Address: _____

City: _____ State: _____ Zip Code: _____

Ownership Information (include % ownership by any electric utility): _____

Facility Information:

Address of Facility: _____

City: _____ State: _____ Zip Code: _____

Electric Service Company: _____ Account Number (if available): _____

Inverter Manufacturer: _____ Model Name and Number: _____ Quantity: _____

Nameplate Rating: _____ (kW) _____ (kVA) _____ (AC Volts) Single ___ or Three ___ Phase

System Design Capacity: _____ (kW) _____ (kVA)

Prime Mover: Photovoltaic Reciprocating Engine Fuel Cell Turbine Other _____

Energy Source: Solar Wind Hydro Diesel Natural Gas Fuel Oil Other _____

UL 1741 Listed? Yes ___ No ___

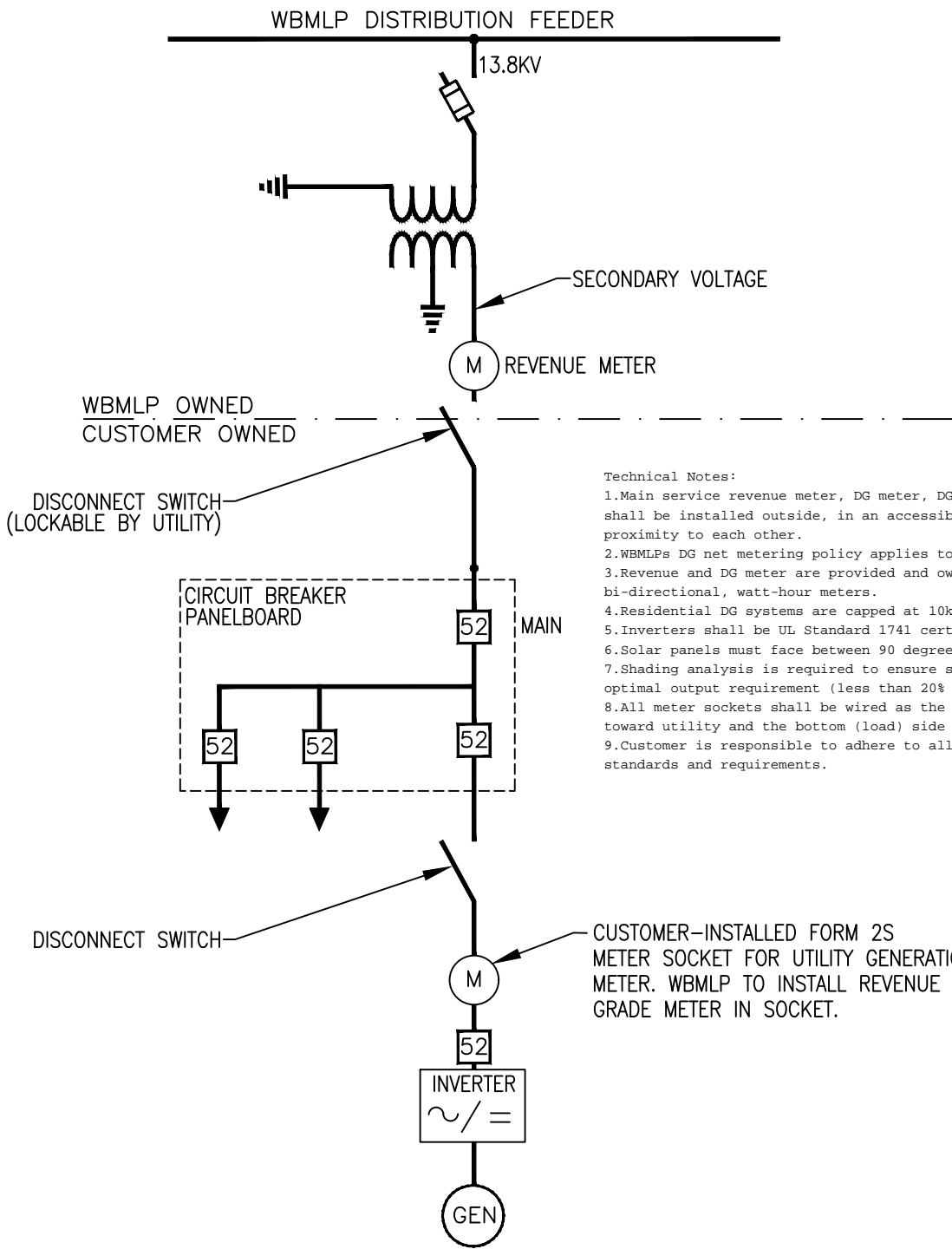
Estimated Install Date: _____ Estimated In-Service Date: _____

Customer Signature

I hereby certify that, to the best of my knowledge, all of the information provided in this application is true and I agree to the WBMLP Standard Terms and Conditions:

Interconnecting Customer Signature: _____ Title: _____ Date: _____

Please attach any documentation provided by the inverter manufacturer describing the inverter's UL 1741 listing.



- Technical Notes:
1. Main service revenue meter, DG meter, DG disconnect switch shall be installed outside, in an accessible location, in close proximity to each other.
 2. WBMLPs DG net metering policy applies to all interconnected DG
 3. Revenue and DG meter are provided and owned by WBMLP, bi-directional, watt-hour meters.
 4. Residential DG systems are capped at 10kW (DC).
 5. Inverters shall be UL Standard 1741 certified.
 6. Solar panels must face between 90 degrees and 270 degrees.
 7. Shading analysis is required to ensure system meets 80% optimal output requirement (less than 20% shading).
 8. All meter sockets shall be wired as the top (line) side toward utility and the bottom (load) side toward DG
 9. Customer is responsible to adhere to all applicable codes, standards and requirements.

DEVICE	FUNCTION
52	A.C. CIRCUIT BREAKER (LOW VOLTAGE)

INTERCONNECTION REQUIREMENTS 1Ø INVERTER-BASED GENERATOR LESS THAN 10KW		
WEST BOYLSTON MUNICIPAL LIGHT PLANT WEST BOYLSTON, MA		
DWG. B1	REV. 1	DATE 5-20-2019