

# **WEST BOYLSTON MUNICIPAL LIGHTING PLANT**

4 Crescent Street, West Boylston, Massachusetts 01583

Telephone (508) 835-3681 Fax (508) 835-2952

## **Appendix D**

### **Metering and Distribution Pedestal Specification**

**(1) Metering and Distribution Pedestal Provided by  
WBMLP**

Catalog Number:

**CP3B5281FB25ADGSP1**

480Y/277 VAC, 3-phase, 4-wire; 200 Amps Maximum, (see Main circuit breaker rating)

Rainproof - Type 3R, Aluminum Enclosure, painted DARK GREEN

Enclosed Industrial Control - Suitable ONLY for Use as Service Equipment

The short circuit current rating is 25,000 RMS symmetrical amperes maximum at 480volts maximum, in accordance with the table below, but is limited to the lowest short circuit rating of any installed circuit breaker. Watthour meter is not included in the short circuit rating. Replacement circuit breakers must be of the same type and rating.

No.	Amp.	Poles	Circuit Description
1	200	3	MAIN
2			
3			
4			
5			
6			

**METERED CIRCUIT DIRECTORY**

No.	Amp.	Poles	Circuit Description	No.	Amp.	Poles	Circuit Description
1	-	1	CQDST277 (SHUNT TRIP)	2	15	1	
3	100	3		4	15	1	
5				6			
7				8			
9	-	1	CQDST277 (SHUNT TRIP)	10			
11	100	3		12			
13				14			
15				16			
17				18			

AIC RATING	MAIN	BRANCHES
25K	SIEMENS TYPE FXD6	SIEMENS TYPE NGB

Circuit breaker handle trip position is between "ON" and "OFF". To reset breaker, move handle to the full "OFF" position, then to full "ON".

**⚠️ FACTORY INSTALLED ARC FLASH LABEL (1119071) NEXT TO MAIN**

**BRANCH BREAKERS FULLY RATED**

**Terminal Information, Use AL/CU conductors**

FIELD WIRED CONNECTORS				BUS CONNECTIONS				For Equipment Ground ONLY, multiple conductors in a single opening are permissible as indicated below					
Socket Size	Torque Lb.-In.	SLOTTED HEAD SCREWS		THREADFORMING SCREWS		SCREW	MAT'L	Torque, Lb.-In.	AWG Wire Size	Small Hole	Large Hole		
		AWG Wire Size	Small Hole	Large Hole									
5/16"	275	#14-10	20	35	10-24	AL	30	#14-10	1-2	1-2			
3/8"	375	#8	25	40	10-24	CU	50						
1/2"	500	#6	35	45	1/4-20	AL	50						
9/16"	600	#4	-	45	1/4-20	CU	72				#8 - 6	1	1
		#3-1/0	-	50							#4 - 1/0	1	1

Shipping may loosen electrical connections. CHECK TIGHTNESS BEFORE ENERGIZING.

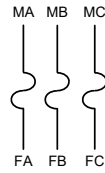
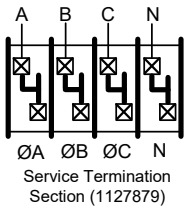
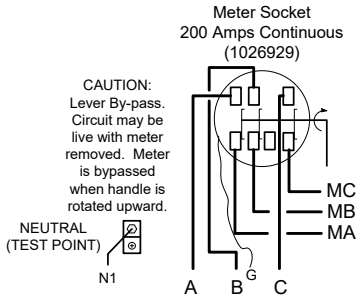
**BONDED NEUTRAL** – Remove neutral load conductors for test purposes only! FIELD INSTALLED conductors shall be 60°C, 75°C, or 90°C, sized to 60°C rating for 110 amps or less; and 75°C or 90°C for 125 amps and above.

REV 0	08/26/22	051457	MDM
-------	----------	--------	-----

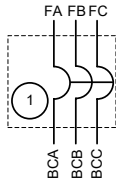


Catalog Number:  
**CP3B5281FB25ADGSP1**

480Y/277 VAC, 3-phase, 4-wire; 200 Amps Maximum, (see Main circuit breaker rating)  
 Rainproof - Type 3R, Aluminum Enclosure, painted DARK GREEN  
 Enclosed Industrial Control - Suitable ONLY for Use as Service Equipment

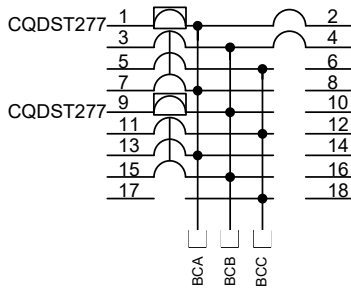


FUSES  
 200 amp, 480V Class "T"  
 (A6T200 / PT364)

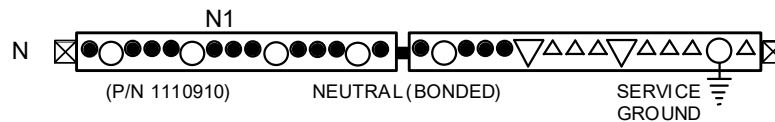


⚠ MAIN  
 (200-AMP, 3P)  
 SIEMENS TYPE FXD6

⚠ **FACTORY INSTALLED ARC  
 FLASH LABEL (1119071)  
 NEXT TO MAIN**

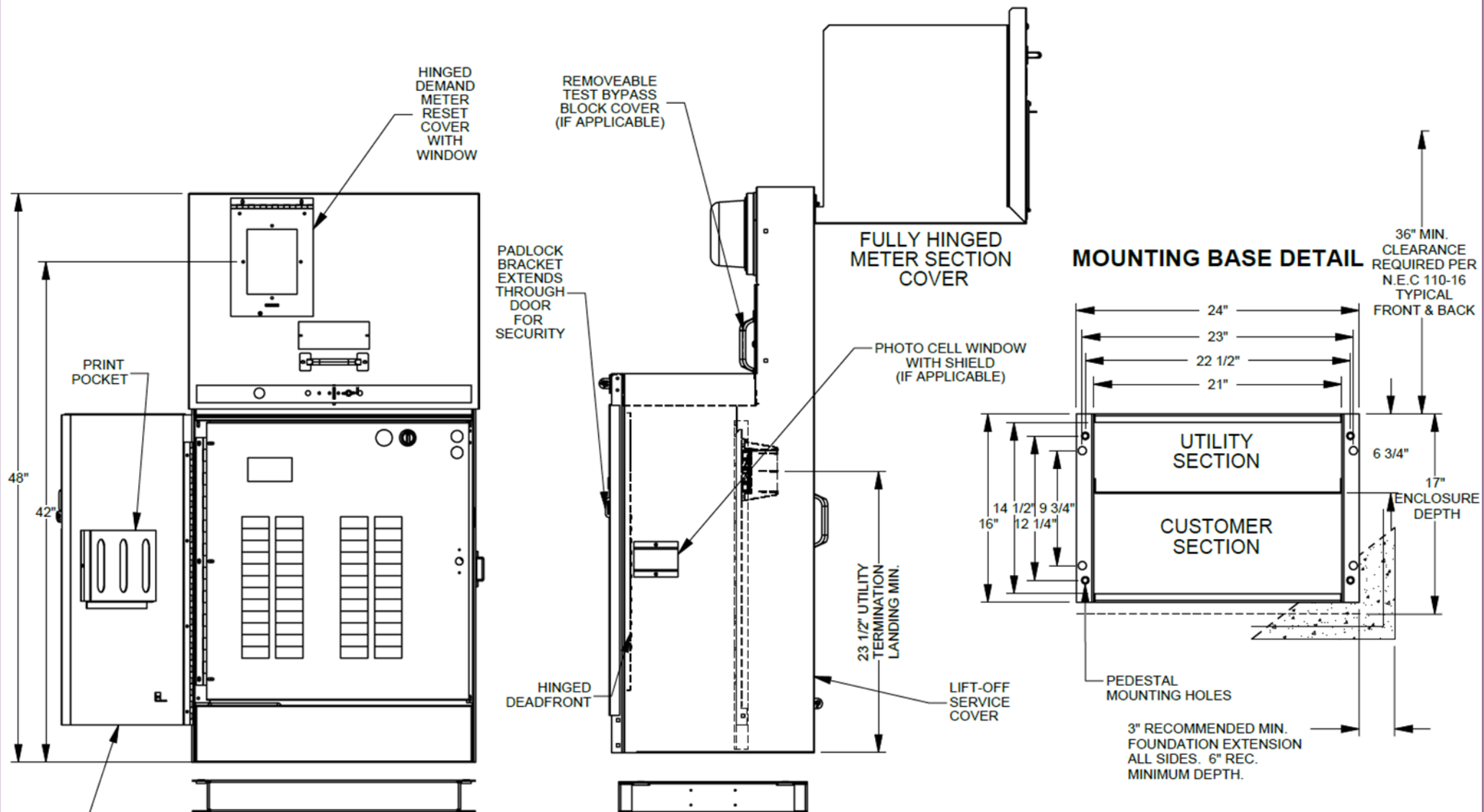



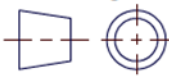
Siemens Panel Board (1176022)



# CP3B5281FB25ADGSP1

## 24" COMMERCIAL PEDESTAL

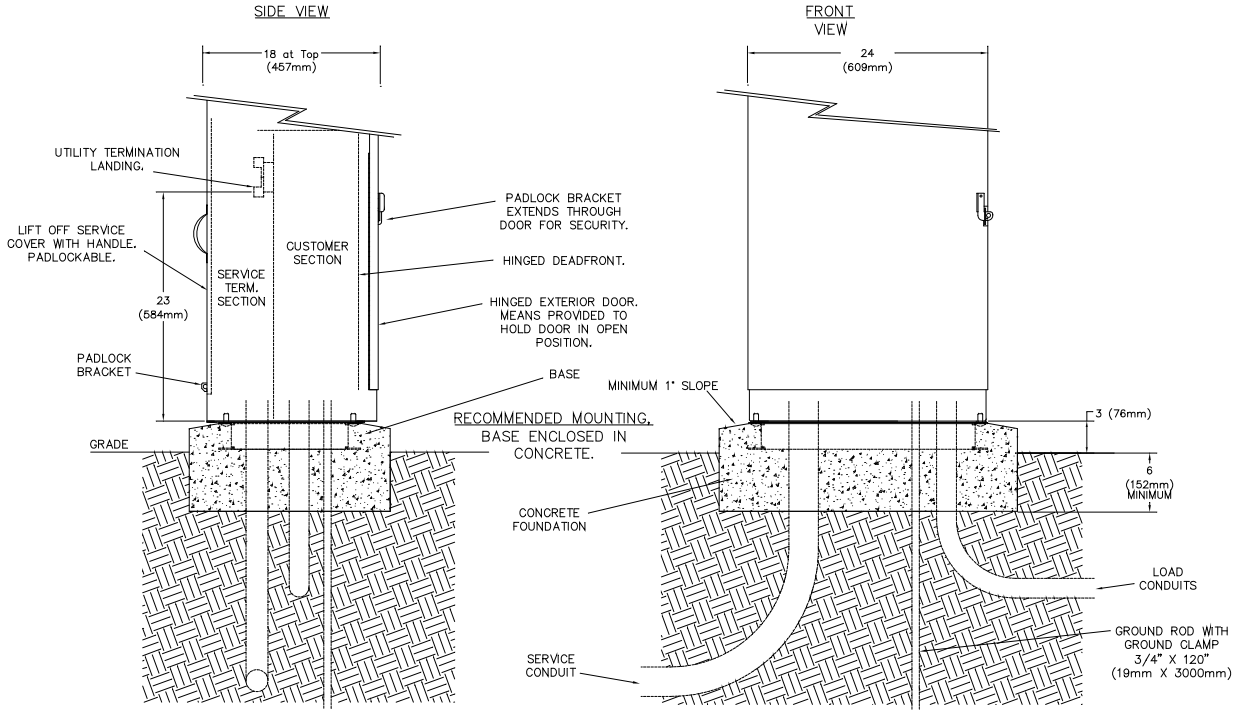


Material:		14GA GALVANIZED STEEL, PAINTED .125 ALUMINUM, PAINTED 14GA STAINLESS STEEL		 <p>KANSAS CITY, MO USA</p>	
Shear/Die No.:					
Finish:					
Part Wt.:		LBS. EA.			
Paint Qty.:		GRAMS		Title:	
<b>Tolerances:</b> Unless Specified Otherwise XX ±.1 X.XX ±.03 X.XXX ±.015 X* ±2*				Third Angle 	Catalog No.:
Scale: NTS		Checked By:			Customer:
Drawn By: BL		Approved By:		Drawing No.:	
Date: 05/08/17		Sheet: 1 of 1		B-Size Outline Unobstructed	

REV.	DATE	DESCRIPTION	ECO No.	BY
**	5/8/2017	NEW	036252	BL

# CP3B5281FB25ADGSP1

## TYPICAL "B" AND "M" SIZE CONSTRUCTION & INSTALLATION



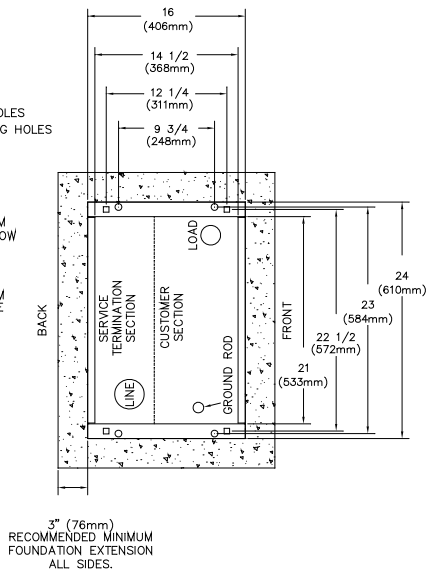
### MOUNTING BASE DETAIL (TOP VIEW)

○ PEDESTAL MOUNTING HOLES  
□ ANCHOR BOLT MOUNTING HOLES

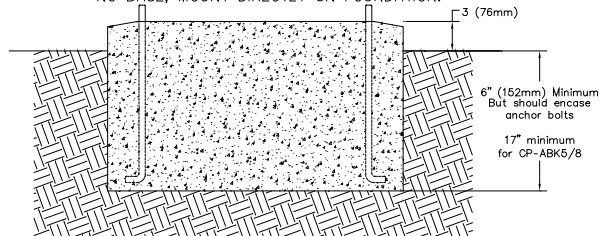
6" (152mm) RECOMMENDED MINIMUM FOUNDATION DEPTH BELOW GRADE LEVEL.

36" (914mm) MINIMUM PEDESTAL CLEARANCE TYPICAL FRONT AND BACK REQUIRED PER N.E.C. 110-16.

(4) 5/8-11 X 18 (450mm 16UNC) ANCHOR BOLTS RECOMMENDED.



### OPTIONAL MOUNTING NO BASE, MOUNT DIRECTLY ON FOUNDATION.



DRAWING APPROVAL REQUIRED

THE FOLLOWING DRAWING IS SUBMITTED FOR YOUR APPROVAL FOR INTERPRETIVE ACCURACY. BEFORE WE MAY PROCEED WITH MANUFACTURING THIS PRODUCT WE REQUEST THAT THE APPROPRIATE PERSONS REVIEW THIS DRAWING, SIGN & DATE THE DRAWING & RETURN THIS FORM AS APPROVAL OF THIS PRODUCT.

As of 8/29/22 the lead time for this unit is 10-12 weeks after receipt of this drawing with approval signature. Customer requested non-standard components can exceed 6 weeks.

Date 8/29/22  
Agent HOLBROOK ASSOCIATED  
Distributor HOLBROOK ASSOC INC  
Job TOWN OF WEST BOYLSTON  
PO#  
Quote # SQ412529  
Catalog # CP3B5281FB25ADGSP1

Comments: \_\_\_\_\_

Drawing is approved as is

Requires changes

Drawing not approved

Company Name \_\_\_\_\_

Signature \_\_\_\_\_ Date \_\_\_\_\_

PLEASE FAX OR EMAIL APPROVAL TO YOUR LOCAL MILBANK SALES REP.